

# TREMBLAY

SOUND MATTERS

TM40W



## Features and Specifications

- Main Device Parameters
- Output : 20W\*2
- Frequency : 50Hz-16kHz
- RMS: 40W(THD=10%)
- Driver: 3"\*2
- INPUT : 5V 1000-2000mAh
- Distortion : <0.5%
- Battery : 7.4V 5000mAh
- Play Time : 6-8 h
- Charging Time : 4-6h
- Size : L260\*W150\*H150mm
- Product Weight : 2300g

## Package Contents

1. Speaker
2. User Manual
3. 3.5mm Audio Cable
4. USB cable

## Charging the Speaker

Before using the speaker for the first time charge it for at least 24 hours.

1. Plug the adapter with the USB cable into the charging socket of the speaker. Plug the other end of the adapter into a wall outlet. The red LED indicator on the speaker will light up and your speaker will start charging.
2. The red LED turns on to indicate that the unit is charging.
3. Once fully charged, the red LED turns off.

## Pairing the Device

1. Place speaker within 30ft of the Bluetooth-enabled device.
2. Slide the ON/OFF button to ON. The white LED flashes 3 times slowly, then flashes quickly to indicate Bluetooth pairing mode.
3. Follow the instructions of your device to search for the speaker.
4. The white LED flashes when pairing is complete.

## Basic instructions

1. To turn the speaker on, press the ON/OFF button to ON.
2. The speaker beeps and a white LED flashes slowly.
3. The white LED stays on when playing music.
4. When the battery is low, the machine beeps "beep"
5. LED indicator

- (1). Charging: Red LED on (the speaker off)
- (2). Fully Charged: Red LED off
- (3). Pairing Mode: white LED flashes quickly
- (4). Connected: white LED on
- (5). Playing: white LED flashes slowly

## Caution

## Safety information

To reduce the risk of electric shock, do not attempt to disassemble the device.

Do not use this product in an aircraft or in a hospital.

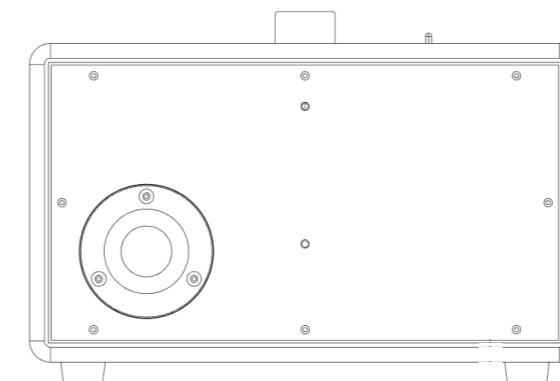
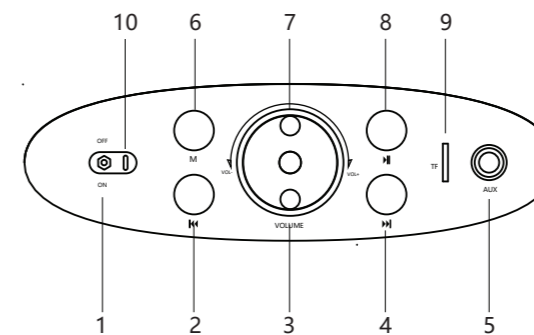
Do not expose the device to direct sunlight, heat or flame.

The device may become warm while charging

## Warning

- Any changes or modifications not expressly approved by the party responsible for compliance could void the user's authority to operate this equipment.
- This device and its antenna(s) must not be co-located or operated in conjunction with any other antenna or transmitter.

## Speaker button functions



1. Power On/Off  
Toggle to turn the unit On/Off.
2. Previous song:  
Press quickly for previous song.
3. Volume up /down:  
Rotate the switch and adjust the volume

4. Next song:  
Press quickly for next track.
5. 3.5mm audio input (line-in)
6. Bluetooth  
Press the button, Switch Bluetooth status and stereo state  
Press and hold the button, Bluetooth free pairing
7. LED Red/White
8. Play/Pause  
When playing music,press the button to pause or play.
9. TF card input
10. DC IN  
DC5V 1--2A

**WARNING:**  
Use and keep this product under normal temperature  
Do not disassemble, repair or refit it on your own  
Do not expose the product to strong magnetic or electric field places  
Keep the speaker from fire  
Do not expose the product to rain or moisture

- Please read this manual carefully before using the product, please operate this product correctly
- please keep this manual for future reference